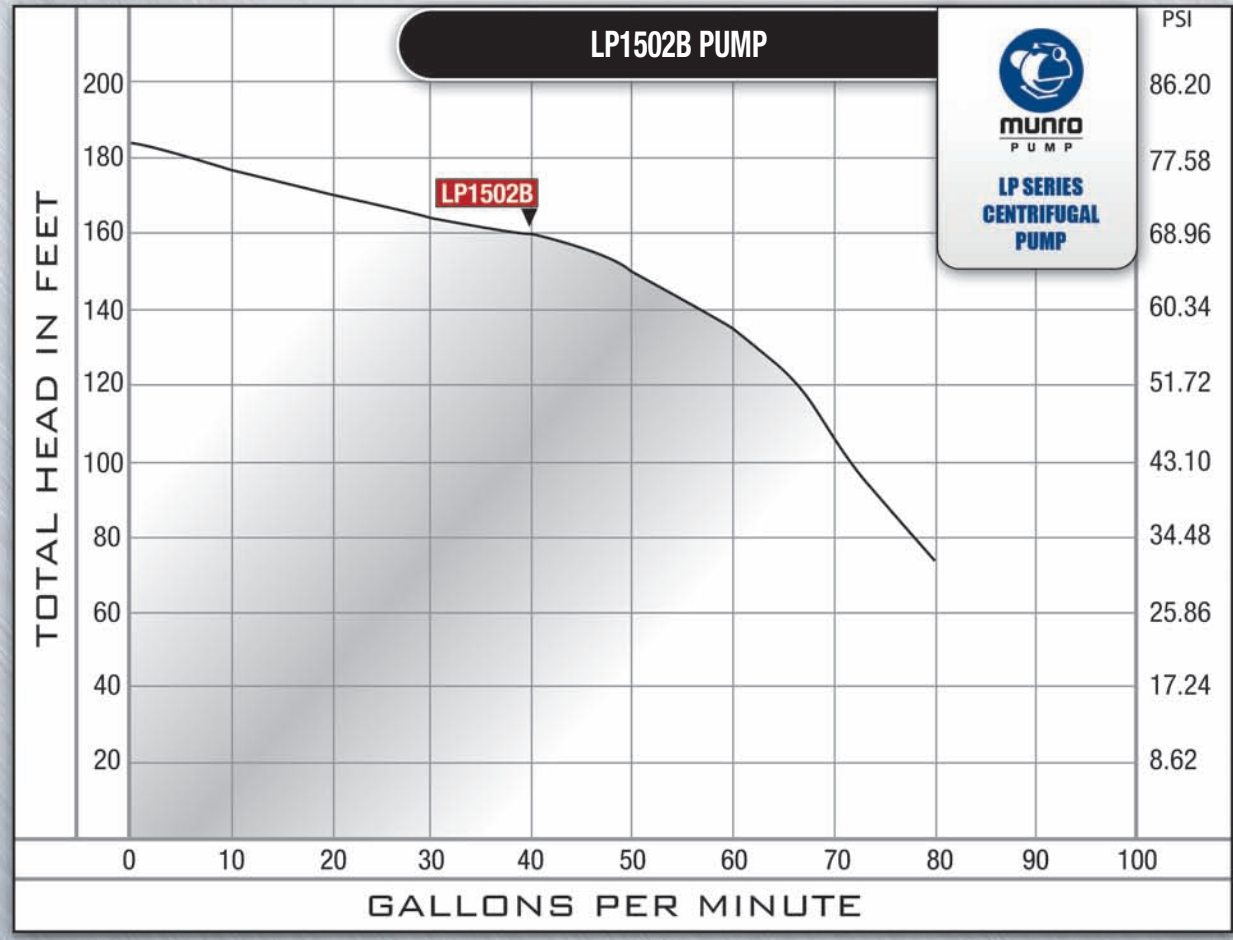


**LP SERIES PUMP FEATURES**



**PUMP PERFORMANCE CURVES**





HP	Phase	Voltage	Discharge	Suction	Approx Ship Weight / Lbs.	Part Number
2	1	230	1-1/2"	2"	120	LP1502B

HP	Hz	RPM	Motor Voltage (Factory) Connected	Service Factor Motor Amps						Maximum Liquid Temp	Maximum Suction Lift*
				Single Phase			Three Phase				
				115V	208V	230V	208V	230V	460V		
2	60	3450	230V	—	—	17.6	—	—	—	180°F	15 Ft.

\*Suction lift varies, depending upon elevation (altitude) and water temperature.

For other amperage ratings on additional voltages, consult motor nameplate.

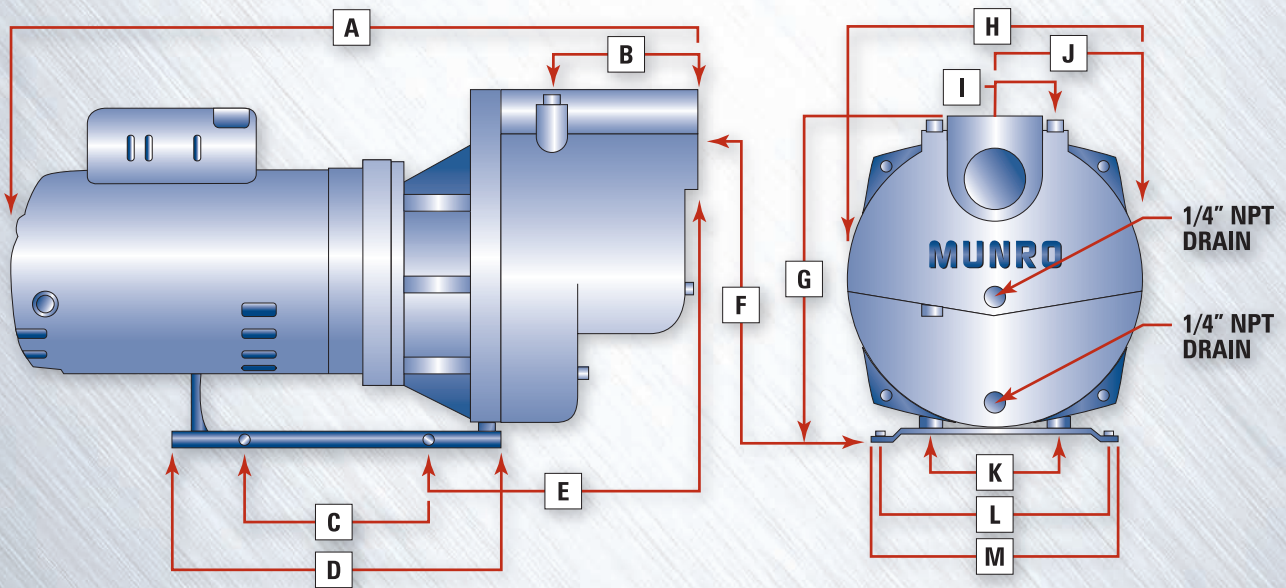
### PUMP PERFORMANCE

HP	Phase	Discharge Pipe Tap	Suction Pipe Tap	Capacity — U.S. Gallons Per Minute Discharge Pressure (PSI)								Suction Lift Feet	Shut Off Pressure PSI	Model Number
				20	30	40	50	60	70	80	90			
2	1	1-1/2"	2"	—	—	80	67	56	38	0	0	5	80	LP1502B

MAXIMUM CASE PRESSURE — 150 PSI

Based on our policy of improving and developing products, we reserve the right to alter specifications of our product at any time without giving prior notice.

### PUMP DIMENSIONS



LP1502B												
A	B	C	D	E	F	G	H	I	J	K	L	M
19.5"	4.25"	7.95"	14"	9.25"	11.25"	13.5"	11.5"	3"	5.75"	4"	7"	8"



FOR MORE INFORMATION ABOUT OTHER INNOVATIVE PRODUCTS BY MUNRO, CALL FOR THE DISTRIBUTOR NEAREST YOU

PH: 800.942.4270 • FAX: 970.263.2277

E-MAIL: MPI@munrocompanies.com • WEBSITE: www.munropump.com