

# TYPE "B" SINGLE STAGE CENTRIFUGAL PUMP Electric Motor Drive

Section	CC
Page	70.3
Date	January 1, 2004
Supersedes 6/1/95	

**CAST IRON IMPELLER**

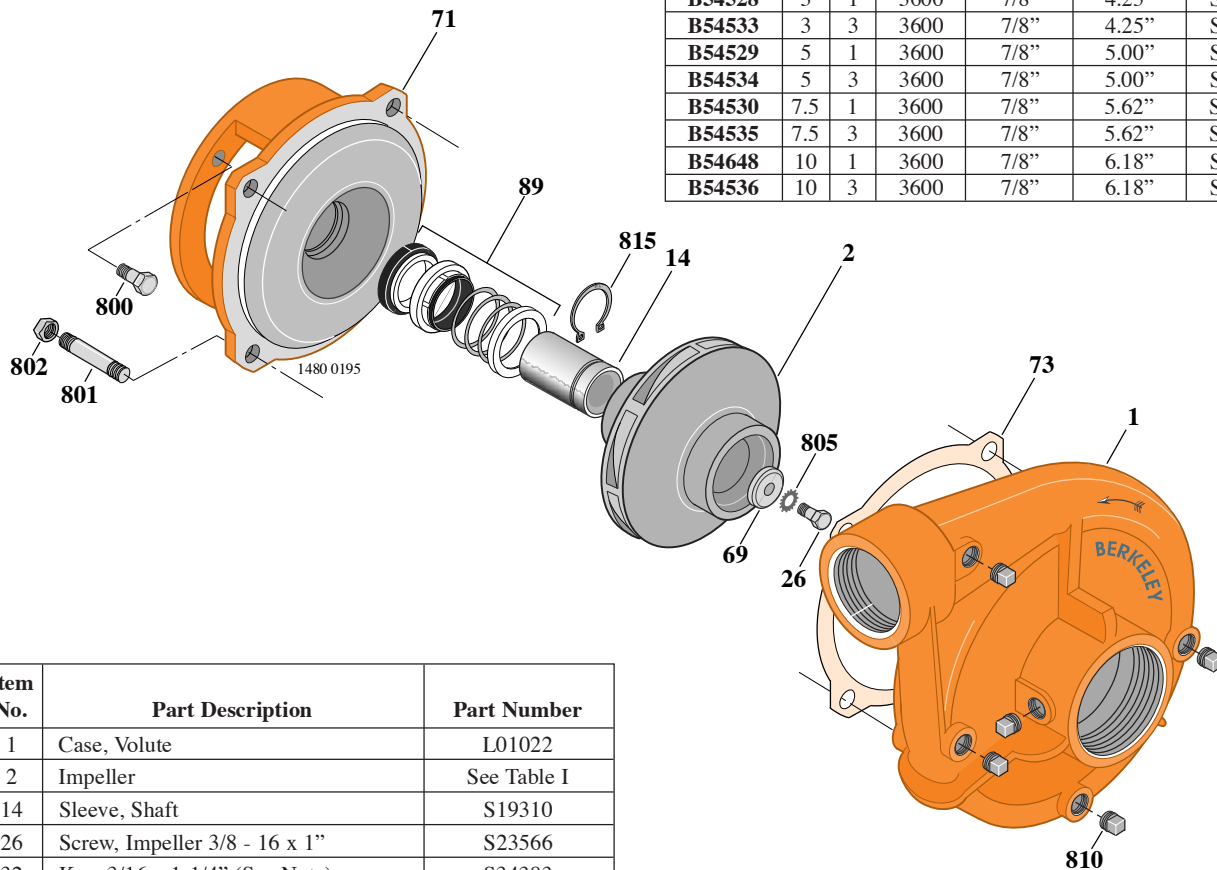
**B2TPMS**

**Threaded Case (NPT)**

**Mechanical Shaft Seal Construction**

**TABLE I**

B/M No.	HP	PH	RPM	"U" Dim.	Imp. Dia.	Imp. No.
B54528	3	1	3600	7/8"	4.25"	S34241
B54533	3	3	3600	7/8"	4.25"	S34241
B54529	5	1	3600	7/8"	5.00"	S34242
B54534	5	3	3600	7/8"	5.00"	S34242
B54530	7.5	1	3600	7/8"	5.62"	S34243
B54535	7.5	3	3600	7/8"	5.62"	S34243
B54648	10	1	3600	7/8"	6.18"	S34279
B54536	10	3	3600	7/8"	6.18"	S34279



Item No.	Part Description	Part Number
1	Case, Volute	L01022
2	Impeller	See Table I
14	Sleeve, Shaft	S19310
26	Screw, Impeller 3/8 - 16 x 1"	S23566
32	Key, 3/16 x 1-1/4" (See Note)	S34383
69	Washer, Impeller	S06314
71	Bracket	See Table II
73	Gasket, Volute	S04757
89	Seal, Mechanical Shaft	S32014
800	Capscrew, 3/8 - 16 x 1" (4 Req.) (For 4-1/2 AK)	S26826
800	Capscrew, 1/2 - 13 x 1" (4 Req.) (For 8-1/2 AK)	S26912
801	Stud, 1/2 - 13 x 1-1/2" (4 Req.)	S24043
802	Nut, 1/2 x 13 (4 Req.)	S23107
805	Washer, Lock	S23036
810	Plug, Pipe 1/4 NPT (4 Req.)	S23715
815	Ring, Retaining	S11207

**TABLE II**

HP	PH	Bracket No.	"AK" Fit	"U" Dim.	Motor Frame
3	1	L05329	4-1/2"	7/8"	182JM
3	3	L05329	4-1/2"	7/8"	145JM
5	1	L05329	4-1/2"	7/8"	184JM
5	3	L05329	4-1/2"	7/8"	182JM
7.5	1	L05328	8-1/2"	7/8"	213JM
7.5	3	L05329	4-1/2"	7/8"	184JM
10	1	L05328	8-1/2"	7/8"	215JM
10	3	L05328	8-1/2"	7/8"	213JM

**NOTE:** For an explanation of the tabulated material found on this page and for impeller key location, refer to *Supplement A* located at the beginning of this section.