



TYPE "B" SINGLE STAGE CENTRIFUGAL PUMP Electric Motor Drive

Section	CC
Page	10.2.1
Date	January 1, 2004
Supersedes/New	

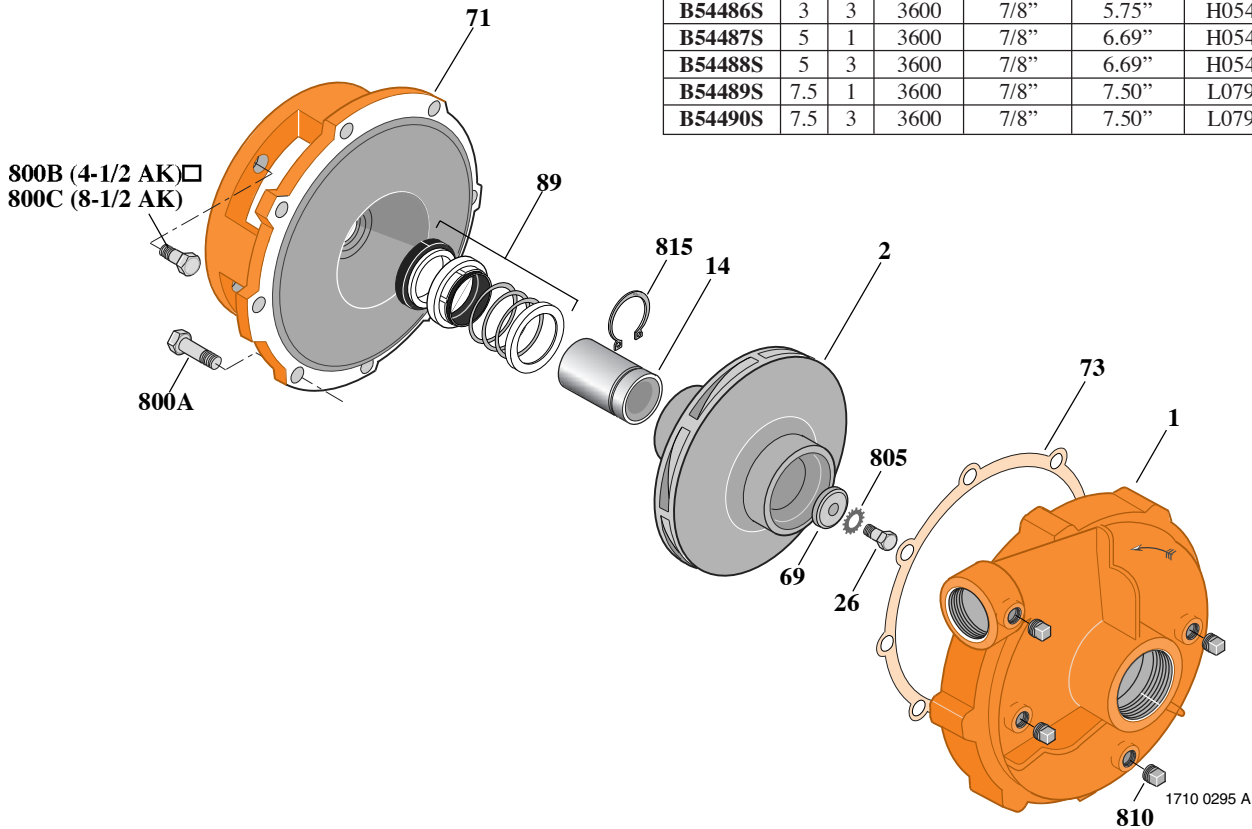
BRONZE IMPELLER B1WPS

Threaded Case (NPT)

Mechanical Shaft Seal Construction

TABLE I

B/M No.	HP	PH	RPM	"U" Dim.	Imp. Dia.	Imp. No.
B54485S	3	1	3600	7/8"	5.75"	H05454
B54486S	3	3	3600	7/8"	5.75"	H05454
B54487S	5	1	3600	7/8"	6.69"	H05455
B54488S	5	3	3600	7/8"	6.69"	H05455
B54489S	7.5	1	3600	7/8"	7.50"	L07923
B54490S	7.5	3	3600	7/8"	7.50"	L07923



Item No.	Part Description	Part Number
1	Case, Volute	L04022
2	Impeller	See Table I
14	Sleeve, Shaft	S19310
26	Screw, Impeller 3/8 - 16 x 1"	S23566
32	Key, 3/16 x 1-1/4" (See Note)	S34383
69	Washer, Impeller	S16239
71	Bracket	See Table II
73	Gasket, Volute	S05126
89	Seal, Mechanical Shaft	S32014
800A	Capscrew, 3/8 - 16 x 1" (8 Req.)	S26826
800B	Capscrew, 3/8 - 16 x 7/8" (4 Req.)	S26825
800C	Capscrew, 1/2 - 13 x 1" (4 Req.)	S26192
810	Plug, Pipe 1/4 NPT (4 Req.)	S23715
815	Ring, Retaining	S11207

TABLE II

HP	PH	Bracket No.	"AK" Fit	"U" Dim.	Motor Frame
3	1	L05332	4-1/2"	7/8"	182JM
3	3	L05332	4-1/2"	7/8"	154JM
5	1	L05332	4-1/2"	7/8"	184JM
5	3	L05332	4-1/2"	7/8"	182JM
7.5	1	L05331	8-1/2"	7/8"	213JM
7.5	3	L05332	4-1/2"	7/8"	184JM

NOTE: For an explanation of the tabulated material found on this page and for impeller key location, refer to *Supplement A* located at the beginning of this section.